
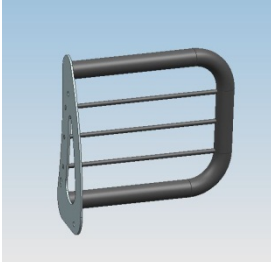

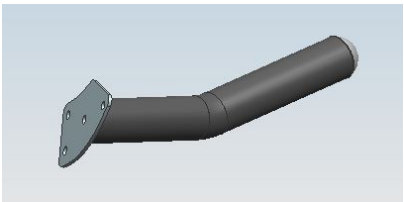
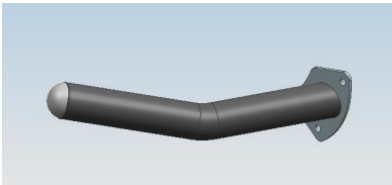
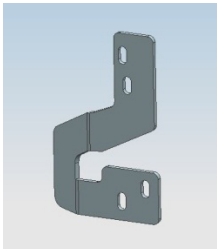
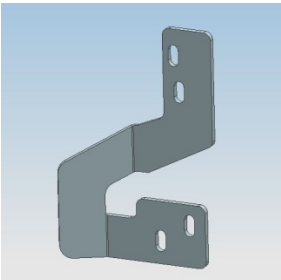
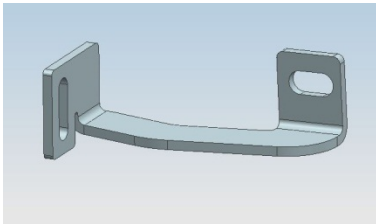
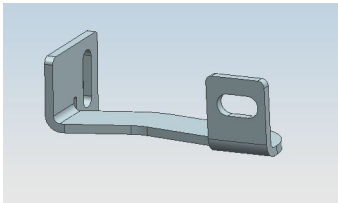
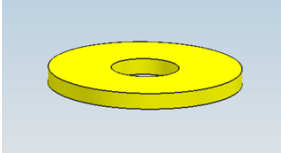
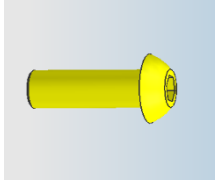
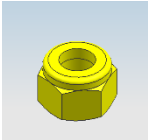
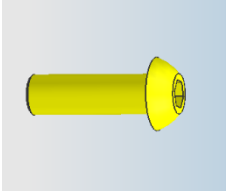
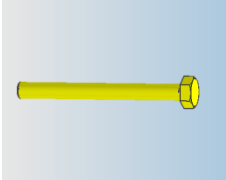
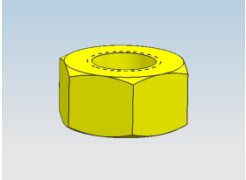
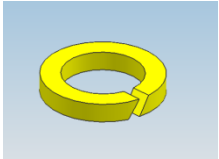
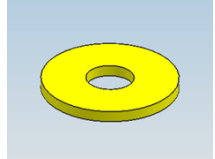
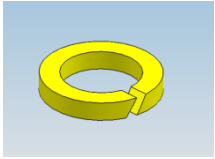
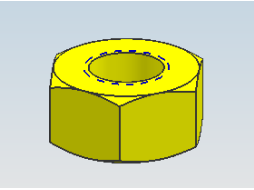
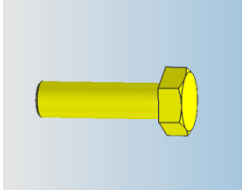

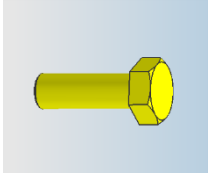
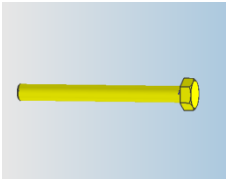



# PW038573 GRILLE GUARD FOR JIMNY 2019 (MODULAR)

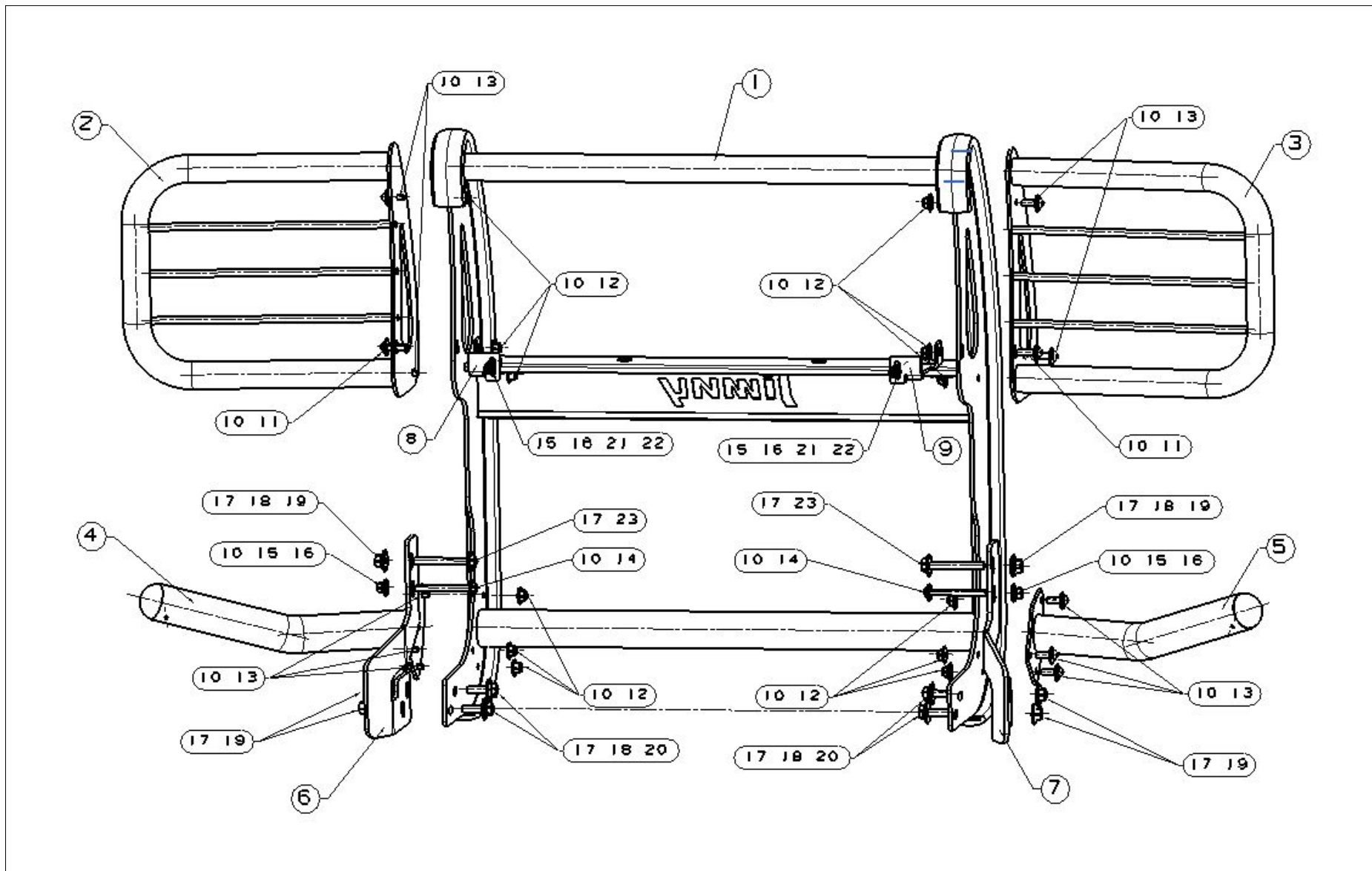
Parts list

NO.	QTY	PICTURE	NO.	QTY	PICTURE	NO.	QTY	PICTURE
①	1	 Front Guard	②	1	 Upper Brush Guard (L)	③	1	 Upper Brush Guard (R)
④	1	 Lower Brush Guard (L)	⑤	1	 Lower Brush Guard (R)	⑥	1	 Bracket (L)
⑦	1	 Bracket (R)	⑧	1	 Support Bracket (L)	⑨	1	 Support Bracket (R)

# SIMPLE INSTRUCTION

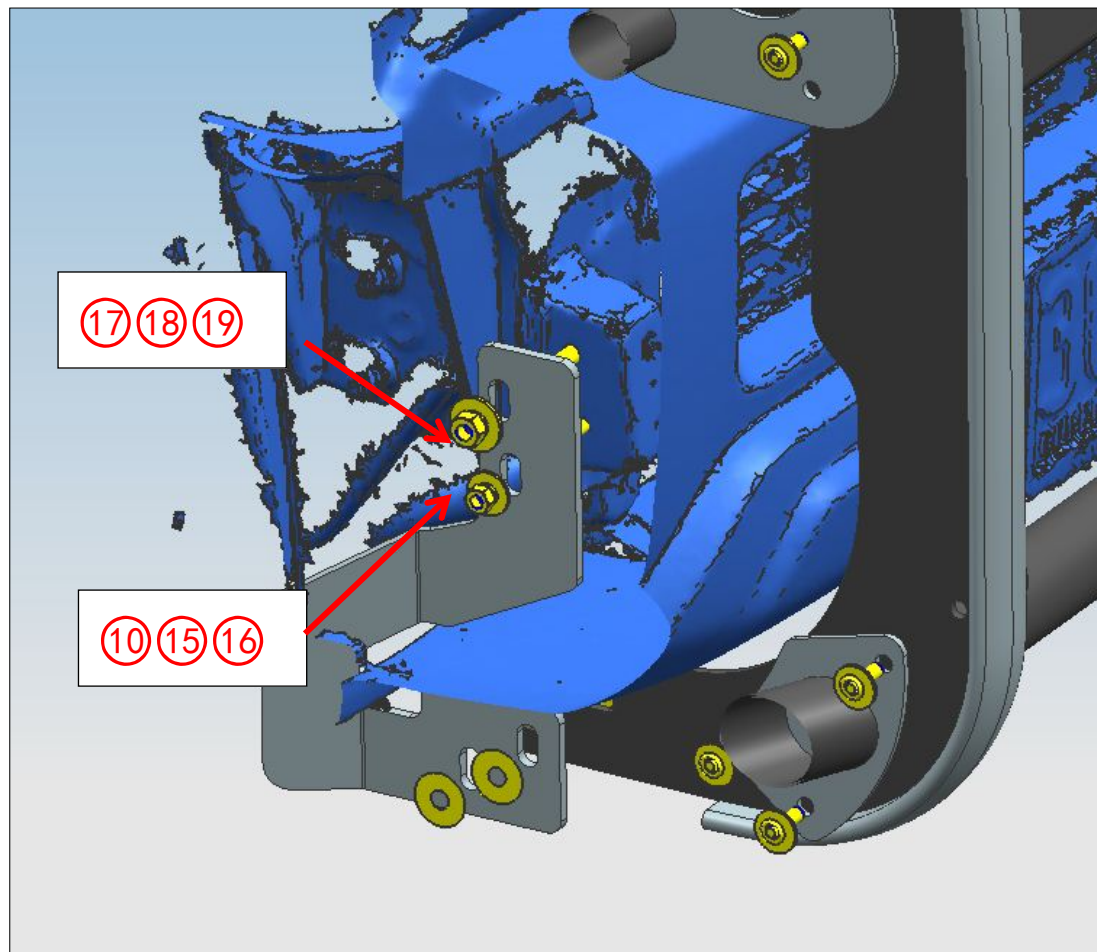
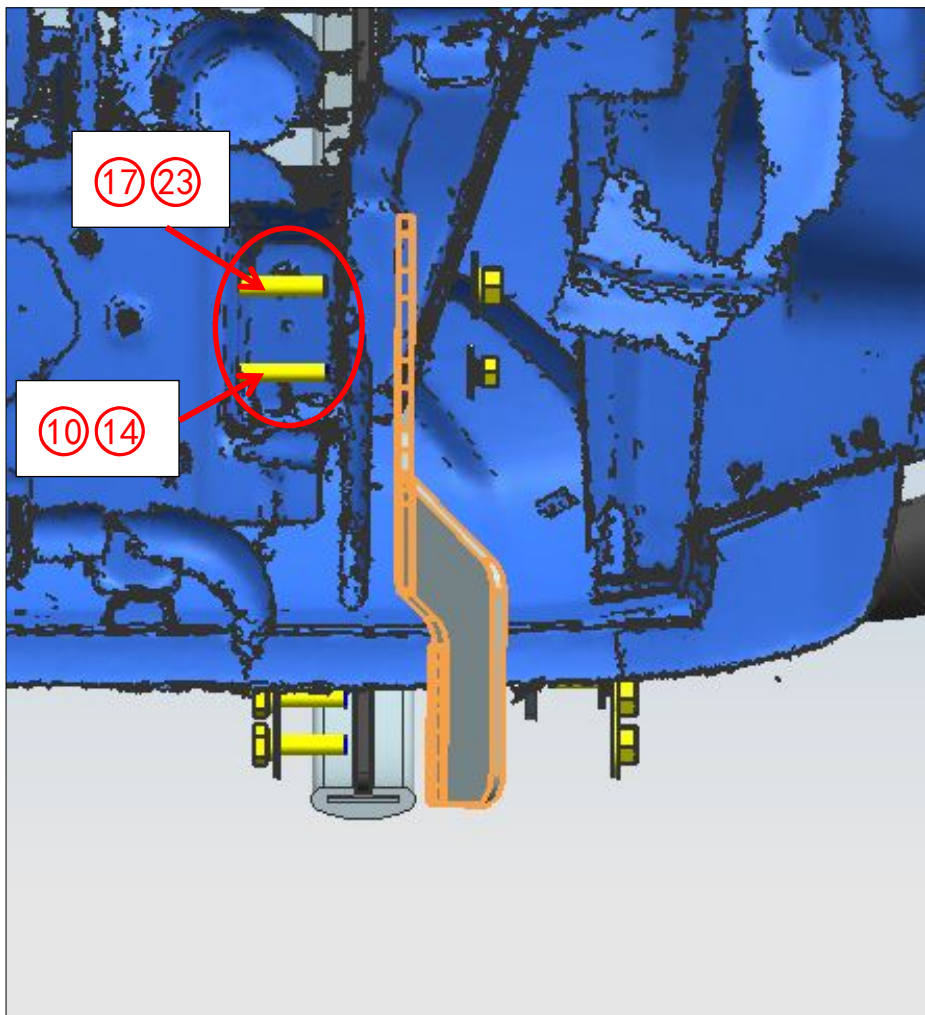
⑩	28	 Large Washer D8(8x24x2mm)	⑪	2	 Hexagon socket flat head screw M8_30	⑫	12	 Hex nut M8
⑬	10	 Hexagon socket flat head screw M8_25	⑭	2	 Hex bolt M8_80	⑮	4	 Hex nut M8
⑯	4	 Spring washer D8	⑰	12	 Large Washer D10(10x30x2.5mm)	⑱	6	 Spring washer D10
⑲	6	 Hex nut M10	⑳	4	 Hex bolt M10_35	㉑	4	 Flat Washer D8 (8x16x1.6mm)
㉒	2	 Hex bolt M8_30	㉓	2	 Hex bolt M10_80_30	㉔	1	 Wrench S=5

**INSTALLION PICTURE:**



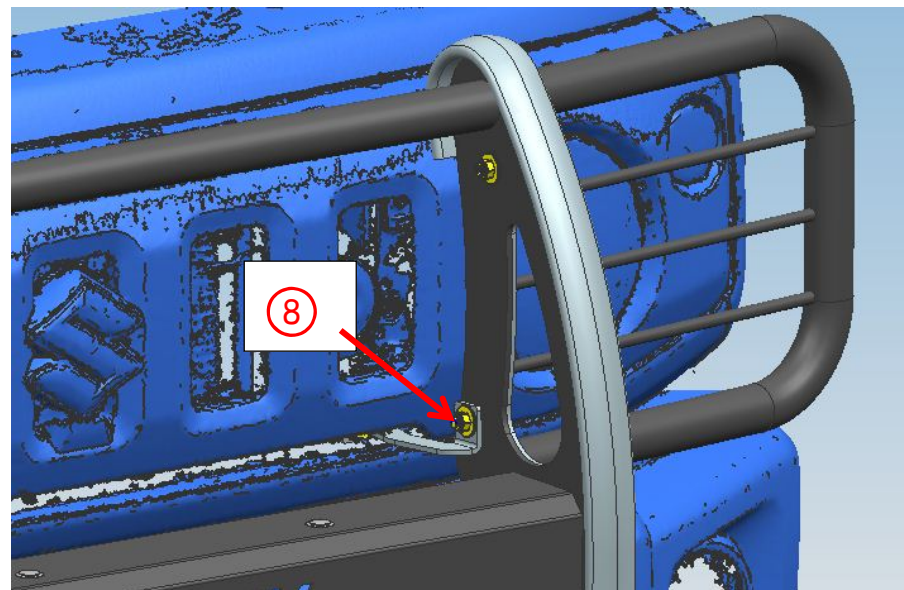
## Installation Steps

Step 1: Remove the original vehicle front bumper, and install the brackets (6) (7) with standard parts (17) (18) (19) (10) (15) (16) (23) (14) on the frame according to the instructions shown in the figure below. (L & R symmetry)



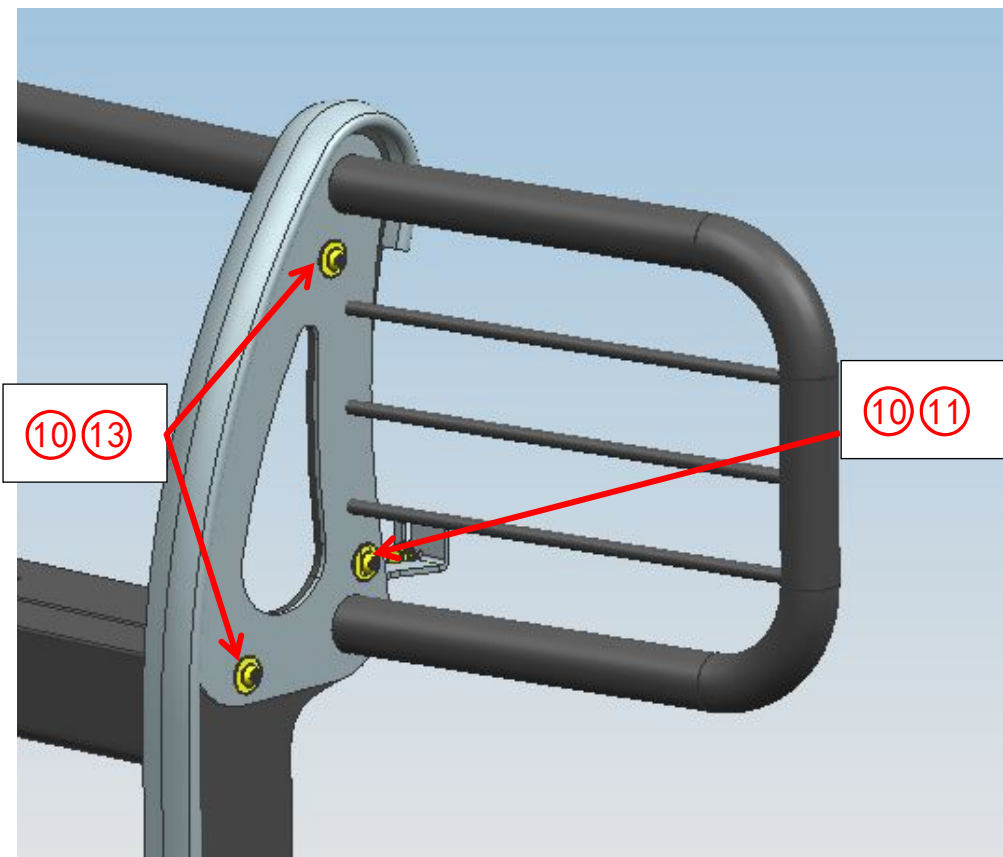
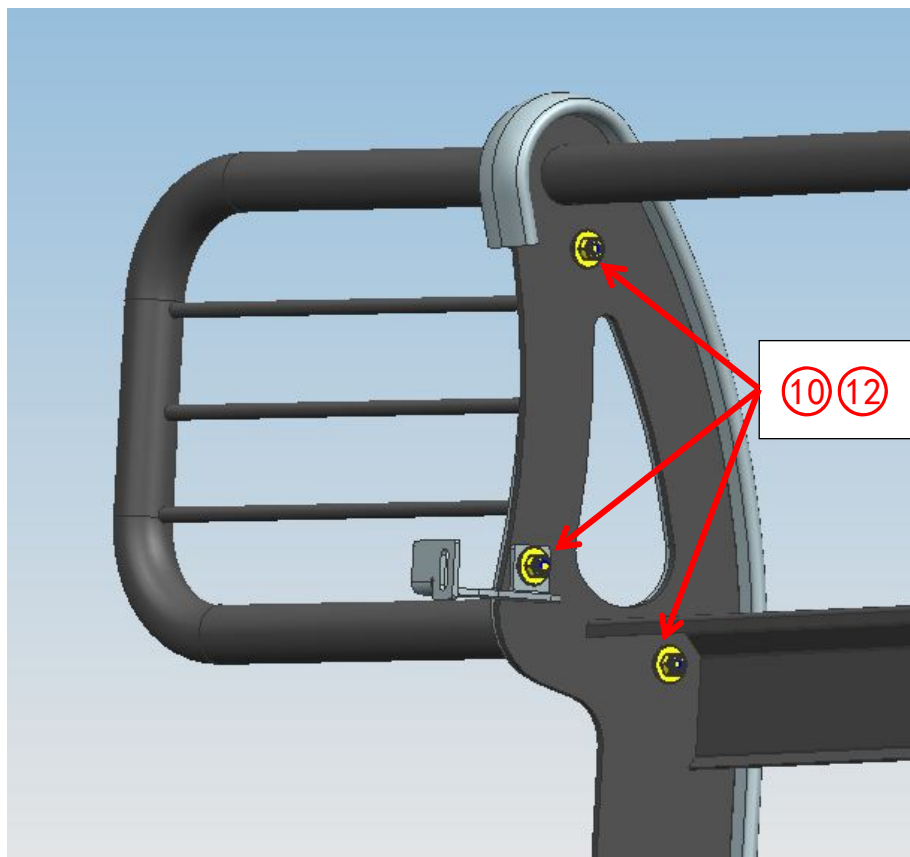
## S I M P L E I N S T R U C T I O N

Step 2: Install Support Brackets ⑧ ⑨ on the car with standard parts ⑩ ⑪ ⑫ ⑬ ⑭ according to the following figure. (L & R symmetry)



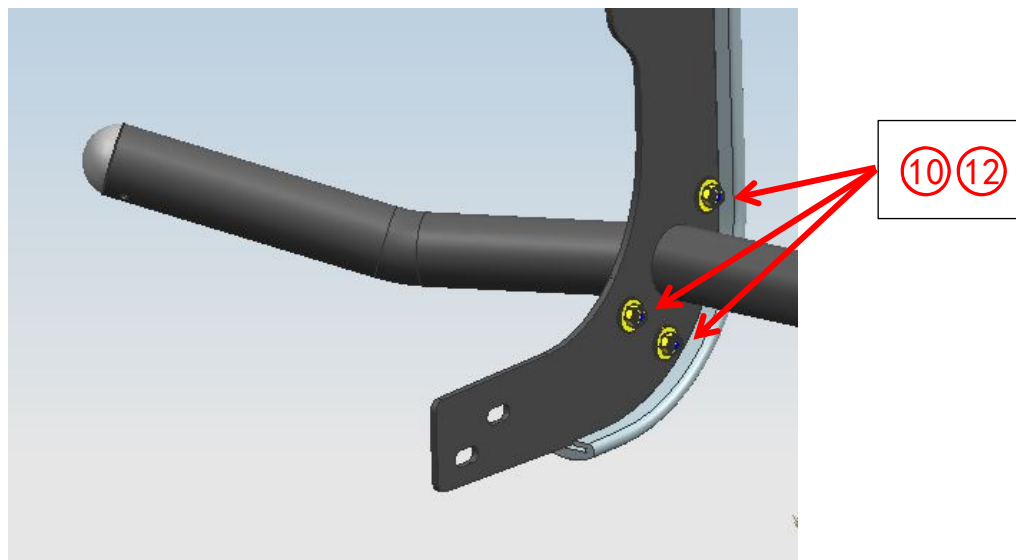
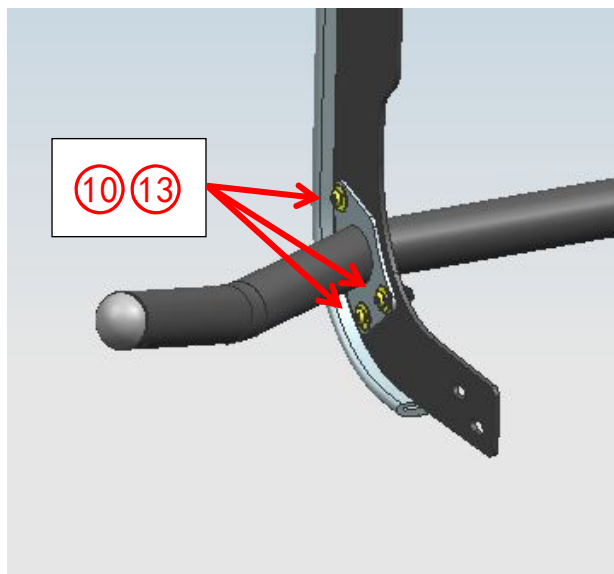
## S I M P L E I N S T R U C T I O N

Step 3: Install the Upper Brush Guards (2) (3) to the Front Guard (1) with standard parts (10) (11) (13) (10) (12). Do not fully tighten the standard parts at this step.

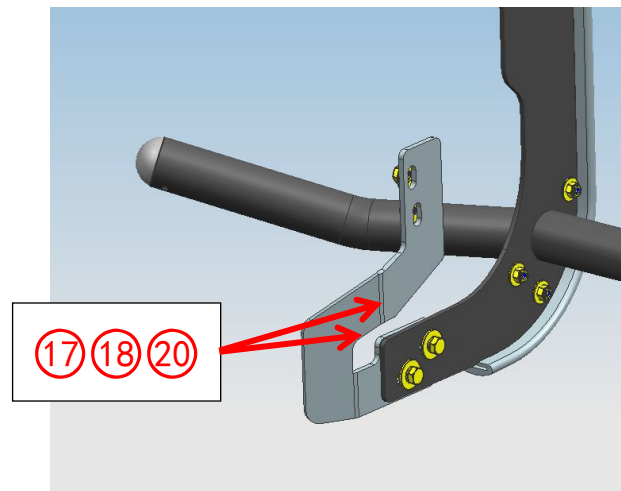
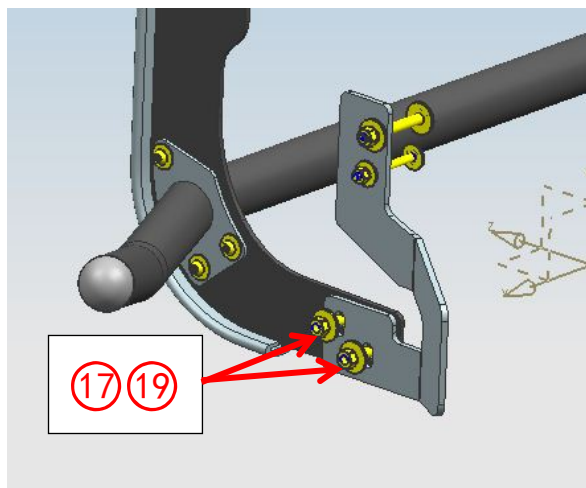


## S I M P L E I N S T R U C T I O N

Step 4: Install the Lower Brush Guard (4) (5) to the Front Guard (1) with standard parts (10) (13) (10) (12). Do not fully tighten the hardware at this step.

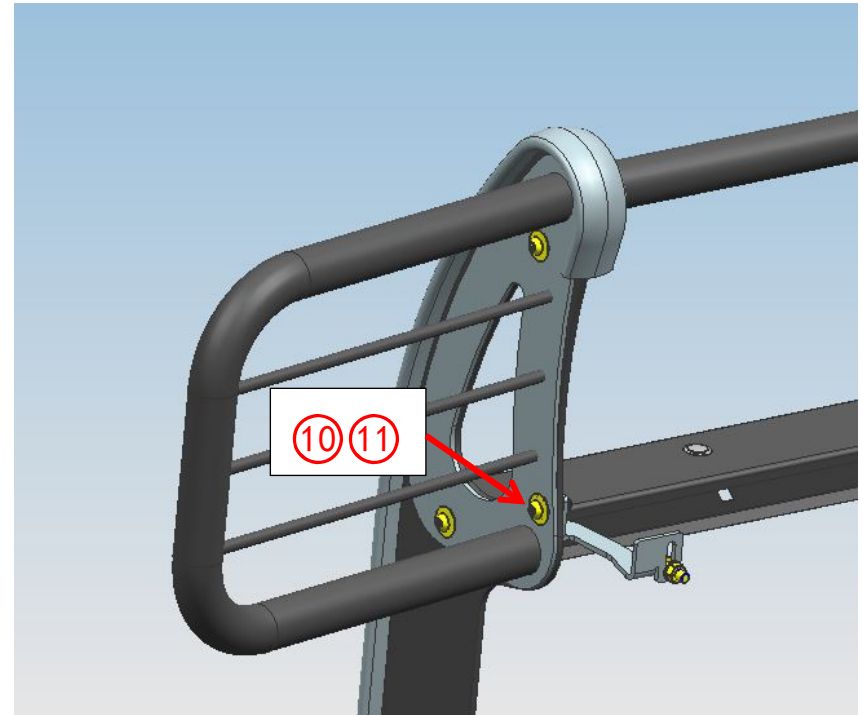
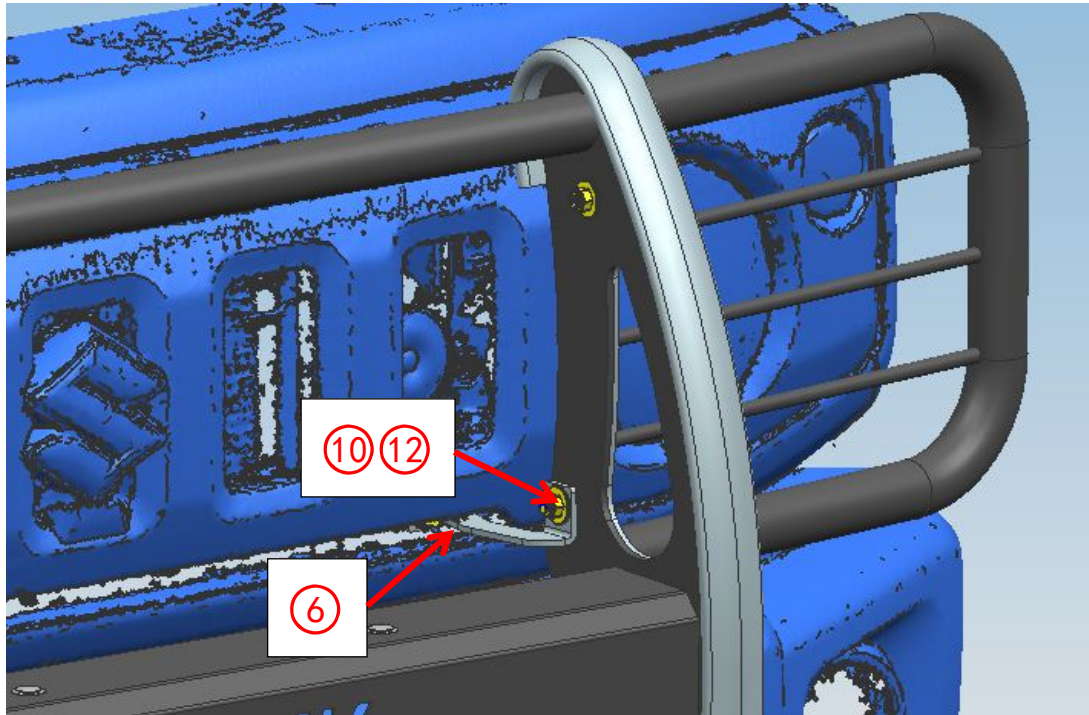


Step 5: Install the Front Guard (1) to the brackets (6) (7) with standard parts (17) (18) (20) (19). Do not fully tighten the hardware at this step.



## S I M P L E I N S T R U C T I O N

Step 6: Install the Front Guard ① to the Support Brackets ⑧ ⑨ with standard parts ⑩ ⑪ ⑩ ⑫. Do not fully tighten the hardware at this step.





## S I M P L E I N S T R U C T I O N

Step 6: Adjust the guard and fully tighten all the standard parts. Complete Installation.

